

# All-In-One Heat Pump

APHP-R290-260

Apricus<sup>®</sup>  
AUSTRALIA

260L  
STORAGE VOLUME

6 PEOPLE  
MAXIMUM CAPACITY

70%  
ENERGY SAVINGS

6 YEAR  
WARRANTY

70°C  
MAX TEMP



Reduce energy costs up to 3 times compared to conventional electric and gas water heaters.



Registered Clean Energy product with annual carbon reduction rating of 3 tonnes.



Real time power usage monitoring capability means households can now take control of their power bills.



Integrate and maximise your PV with in-built timer controlled heat up cycles.



Dual heating technology with incorporated electric element to provide hot water up to 70°C.



Smart touch screen controller makes optimising the system easier than ever.



R290 natural refrigerant with zero global warming potential compared to synthetic.



Eligible for solar and heat pump water heater rebates schemes such as STC, VEEC & ESC.

STC= 22 (Z1) , 22 (Z2), 27 (Z3), 27 (Z4), 27 (Z5). Values subjected to change each year due to deeming period. Please refer to REC registry on the clean energy regulator website for the most updated values.



HOTWATERHUB

## FREE APP

- Operational data monitoring including tank temperature and heat pump total power usage
- Access to data on the physical controller as well as the mobile app
- Easy fault finding and troubleshooting using historic data
- Adjusting the operational mode, setting the unit on a timer, and monitoring the temperature ALL by using the mobile app remotely
- The first heat pump in the market with an Australian Owned Mobile App



Smart touch screen controller



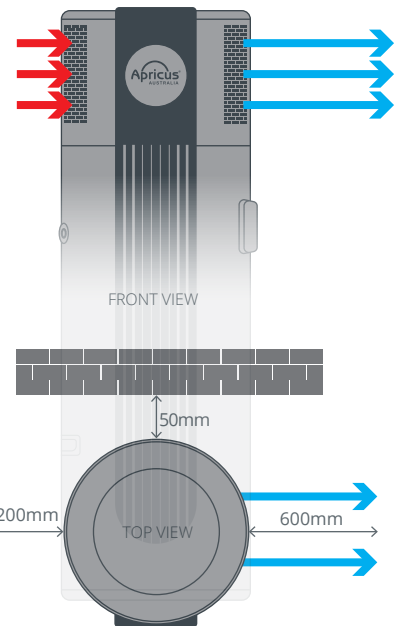
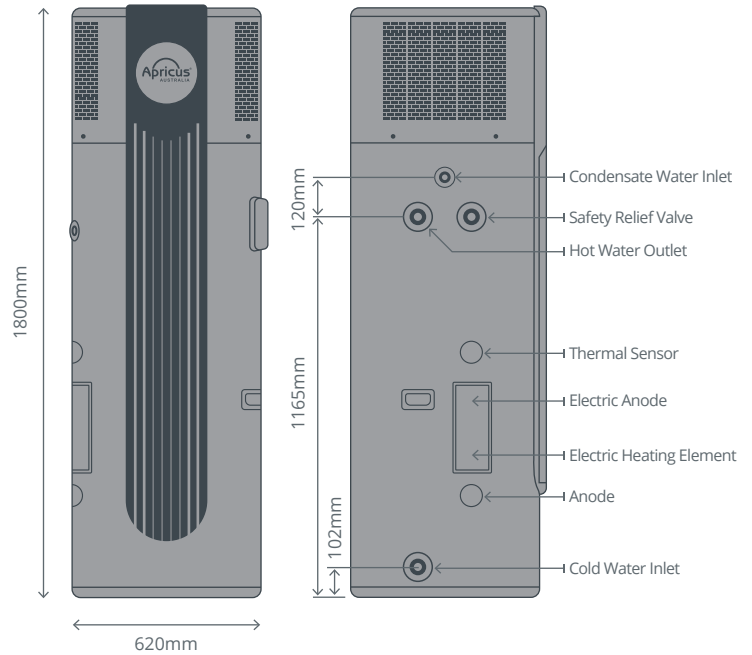
# All-In-One Heat Pump

## APHP-R290-260



### TECHNICAL SPECIFICATIONS

Rated Voltage	220V – 240V	
Rated Frequency	50Hz	
Heating Water Production Rate	65L/hr	
COP	4.13W/W	
Heating Capacity	2600W	
Maximum Input Power	2800W	
Maximum Input Current	14.0A	
Heat Pump	Rated Power	665W
	Rated Current	3.0A
Electric Heater	Rated Power	1800W
	Rated Current	8A
Refrigerent	R290	
Refrigerent Volume	400g	
Rated Water Capacity	260L	
Water Pipe Diameter	G3/4"	
Waterproof Rating	IPX4	
Maximum Allowable Pressure	3.0MPa	
Maximum Working Pressure of Suction Side	3.0MPa	
Maximum Working Pressure of Exhaust Side	0.8MPa	
Noise	43dB	
Net Weight	118kg	
PTRV Rating	850kPa	
T&P Valve Power	10kW	
Ambient Operational Temperature	-7~+43°C	



### OPERATIONAL MODES

MODE	TEMP RANGE	MAX TEMP HEAT PUMP	MAX TEMP ELEMENT
AUTO	60°C	60°C	60°C
ECO	60°C	60°C	-
BOOST	60°C – 70°C	60°C	70°C
ELE	60°C – 70°C	-	70°C

### WARRANTY

6 YEARS

Our extensive 6 year warranty gives you peace-of-mind knowing that all system parts are covered. The labor is covered for 1 year after the installation date.

